

# Lightology

lightology.com  
866-954-4489  
07-07-26

Project: \_\_\_\_\_

Company: \_\_\_\_\_

Location: \_\_\_\_\_ Fixture Type: \_\_\_\_\_

SPEC #: **SSA889590**

Approved On: \_\_\_\_\_ Approved By: \_\_\_\_\_

## Lattimo Large Orb Pendant

By Siemon & Salazar



### Description

The Lattimo Orb Pendant is a variation on the banded line, these pieces focus on their forms rather than the juxtaposition of colors. The name refers to the Italian technique of lattimo or milk glass. Two opaque swathes of color are wrapped around a clear crystal bubble. Made in California and signed by Caleb and Carmen. Note: Each piece of hand-blown glass is a unique work of art. Dimensions, weight, and color will vary. When multiple fixtures are installed next to each other, expect some variation in shape and color.

### Specifications

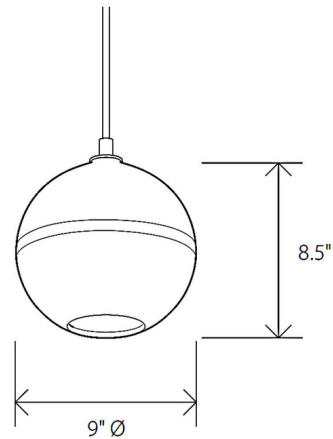
COLOR	White / Ivory
BODY FINISH	Satin Brass
WATTAGE	4W
DIMMER	Standard 120V
DIMENSIONS	9"W x 8.5"H
BULB INCLUDED	1 x G25/Medium (E26)/4W/120V LED
COUNTRY OF ORIGIN	United States

### Technical Information

PRODUCT DIMENSIONS	Adjustable Fabric Cord Length: 72"
COLOR RENDERING	.90 CRI
LAMP COLOR	2700K
LUMENS/WATT	87.50
LUMINOUS FLUX	350 lumens



Shown in black / white / ivory



CLICK TO VIEW PRODUCT

Notes: