

Lightology

lightology.com
866-954-4489
04-26-26

Project: _____
Company: _____
Location: _____ Fixture Type: _____
SPEC #: **VEN890164**
Approved On: _____ Approved By: _____

Samarkanda Silk Ring Pendant By Venetian Designs



Description

Embark on a visual journey with the Samarkanda Silk Ring Pendant, a stunning piece that channels the mystique of ancient trade routes and diverse cultures into your contemporary space. Made in Italy, this captivating pendant showcases delicate silk, artfully framed by striking brass details and an elegant metal ring, creating a truly enchanting silhouette. Choose from three exquisite silk options: Plain Silk for timeless simplicity, Serpentine Silk for a graceful, flowing pattern, or Deco Silk for a more geometric touch, each complemented by a luxurious brass finish. The Samarkanda Silk Ring Pendant is a perfect statement piece for dining rooms, grand entryways, or any area desiring a blend of global inspiration, traditional craftsmanship, and transitional design.

Specifications

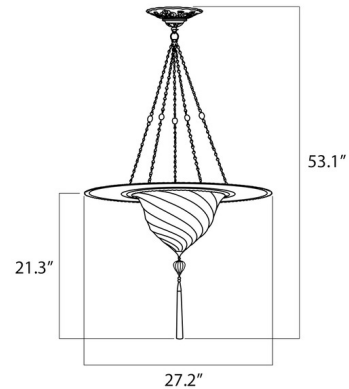
COLOR Plain Silk
BODY FINISH Brass
WATTAGE 8W
DIMMER Standard 120V
DIMENSIONS 27.25"W x 21"H
BULB NOT INCLUDED 1 x A19/Medium (E26)/8W/120V LED
OTHER BULB OPTIONS 1 x A19/Medium (E26)/120V LED
1 x A19/Medium (E26)/60W/120V Incandescent

Technical Information

PRODUCT DIMENSIONS Max Overall Length: 53.125"



Shown in brass / plain silk



CLICK TO VIEW PRODUCT

Notes: