



**DESIGNER**

Mariano Fortuny

**BRAND**

Venetian Designs

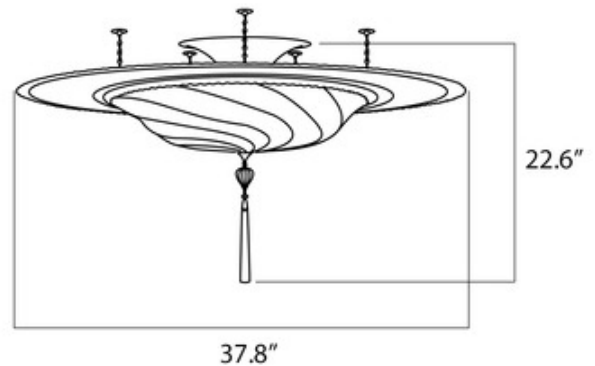
**DESCRIPTION**

The Scudo Saraceno Glass Ring Ceiling Flush Light is inspired by the Saraceno Shield from Medieval times. The delicate silk is complemented by striking details with a brass finish, decorative ring in a stylistic Turkish -Venetian motif. Available in Gold Classic, White Classic, Silver Classic, Ivory Plain, Ivory Serpentine, Ivory Classic, Red Mosaic, or Gold Mosaic. Made in Italy.



*Shown in: Brass / Gold Classic*

<b>SHADE COLOR</b>	Gold Classic
<b>BODY FINISH</b>	Brass
<b>WATTAGE</b>	25W
<b>DIMMER</b>	Standard 120V
<b>DIMENSIONS</b>	37.75"W x 23.5"H
<b>BULB NOT INCLUDED</b>	
<b>LAMP</b>	5 x B11/Candelabra (E12)/5W/120V LED 5 x B10/Candelabra (E12)/120V LED 5 x B10/Candelabra (E12)/60W/120V Incandescent



**SPEC #** VEN890212

COMPANY	PROJECT	FIXTURE TYPE	APPROVED BY	DATE