

# Lightology

lightology.com  
866-954-4489  
04-26-26

Project: \_\_\_\_\_  
 Company: \_\_\_\_\_  
 Location: \_\_\_\_\_ Fixture Type: \_\_\_\_\_  
 SPEC #: **VEN890219**  
 Approved On: \_\_\_\_\_ Approved By: \_\_\_\_\_

## Scudo Saraceno Glass Pendant By Venetian Designs



### Description

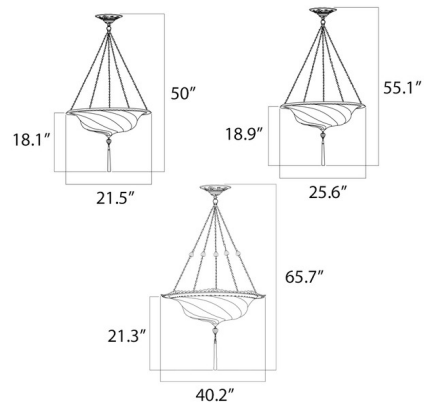
Make a bold historical statement with the Scudo Saraceno Glass Pendant, a true testament to Venetian artistry inspired by the protective Saracen shields of the Medieval era. Made in Italy, this captivating pendant showcases beautifully crafted glass complemented by striking brass details and a dark brown canopy, all united in a distinctive Turkish-Venetian motif. The Scudo Saraceno is more than just a light; it's a piece of history reinterpreted for modern luxury. Its unique design and intricate details make it an ideal centerpiece for entryways, over kitchen islands, or in living areas where you desire to infuse global flair and timeless elegance. Available in small, medium, and large sizes to perfectly scale with your space.

### Specifications

COLOR . . . . . Red Mosaic  
 BODY FINISH . . . . . Brass  
 WATTAGE . . . . . 100W  
 DIMMER . . . . . Standard 120V  
 DIMENSIONS . . . . . 21.5"W x 18"H  
 BULB NOT INCLUDED . . . . . 1 x A19/Medium (E26)/100W/120V Incandescent  
 OTHER BULB OPTIONS . . . . . 1 x A19/Medium (E26)/120V LED



Shown in brass / red mosaic



CLICK TO VIEW PRODUCT

Notes: