



**DESIGNER**

Dechem Studio

**BRAND**

Bomma

**DESCRIPTION**

The Umбра Wall / Ceiling Light was inspired by the relationship between geometric objects and their shadows. The beautiful artistic styling features a mouth blown crystal globe with Polished Stainless Steel and Gold with nitride titan coating. Can be wall or ceiling mounted. The glass globe is mouth-blown thus the intensity of color and gradient may slightly vary. TRIAC dimming. Made in Czech Republic.



*Shown in: Polished Stainless Steel / Gold / Clear*

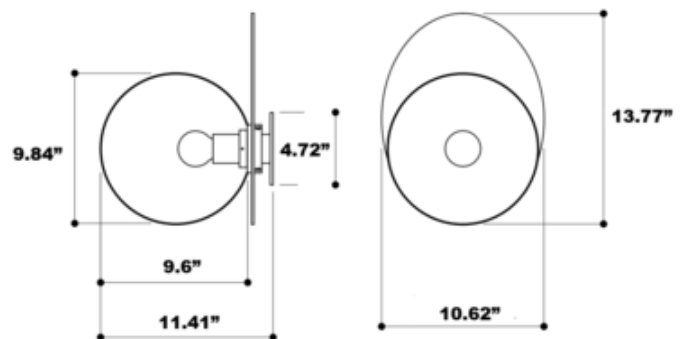
<b>SHADE COLOR</b>	Clear
<b>BODY FINISH</b>	Polished Stainless Steel / Gold
<b>WATTAGE</b>	4W
<b>DIMMER</b>	Standard 120V
<b>DIMENSIONS</b>	10.62"W x 13.77"H x 11.41"D
<b>BULB INCLUDED</b>	
<b>LAMP</b>	1 x G45/Medium (E26)/4W/120V LED

*Technical Information*

<b>LUMINOUS FLUX</b>	310 lumens
<b>LUMENS/WATT</b>	77.50
<b>LAMP COLOR</b>	3000K
<b>COLOR RENDERING</b>	90 CRI

**SPEC #**

BOM890363



COMPANY

PROJECT

FIXTURE TYPE

APPROVED BY

DATE

---