

DESIGNER

Studio deFORM

BRAND

Bomma

DESCRIPTION

The Orbital Floor Lamp offers celestial bodies with hypnotically glowing cores. The ingenious design of the hand-blown glass lenses, held in place by metal bands, creates a fascinating visual experience. This beautiful lamp can add that pop of color you were looking for. Mix or match for an eye catching effect. Fitting for a wide variety of decors. Choose from Gold or Black metal. Always one side of each glass disc is Moon Clear with the other side of the glass in Venus Pink and Polaris White, Mercury Black and Polaris White or Mercury Black and Venus Pink. Which color is up and which color is down is decided by the customer at the time of assembly. The glass is mouth-blown thus the intensity of color and gradient may slightly vary. In-line dimmer on cable. Made in Czech Republic.



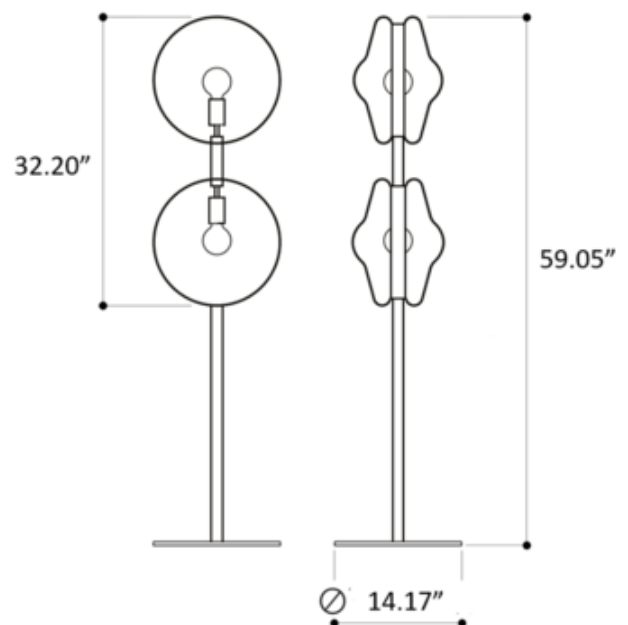
Shown in: Gold / Venus Pink / Polaris White

SHADE COLOR	Venus Pink / Polaris White
BODY FINISH	Gold
WATTAGE	12W
DIMMER	Included
DIMENSIONS	14.17"W x 59.05"H
BULB INCLUDED	
LAMP	2 x G80/Medium (E26)/6W/120V LED

Technical Information

LUMINOUS FLUX	1020 lumens
LUMENS/WATT	170.00
LAMP COLOR	3000K
COLOR RENDERING	90 CRI

SPEC # BOM890420



COMPANY	PROJECT	FIXTURE TYPE	APPROVED BY	DATE