

**BRAND**

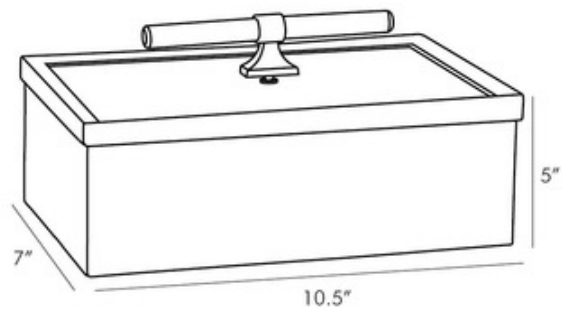
Arteriors Home

**DESCRIPTION**

The Aliyah Box is an exceptionally stylish way to store jewelry or treasured keepsakes. A Clear acrylic top with a natural found-horn handle allows for a visual of your prized pieces while keeping them securely stored. The Slate colored micro suede lining provides an extra element of elegance and protection. Due to the nature of the materials, finish may vary.



|             |                    |
|-------------|--------------------|
| COLOR       | N/A                |
| BODY FINISH | White              |
| WATTAGE     | N/A                |
| DIMMER      | N/A                |
| DIMENSIONS  | 10.5"W x 5"H x 7"D |
| LAMP        | N/A                |



SPEC # AHM891665

| COMPANY | PROJECT | FIXTURE TYPE | APPROVED BY | DATE |
|---------|---------|--------------|-------------|------|
|         |         |              |             |      |