

Lightology

lightology.com
866-954-4489
04-24-26

Project: _____

Company: _____

Location: _____ Fixture Type: _____

SPEC #: **AHM891848**

Approved On: _____ Approved By: _____

Anthony Plug-In Wall Sconce By Arteriors Home

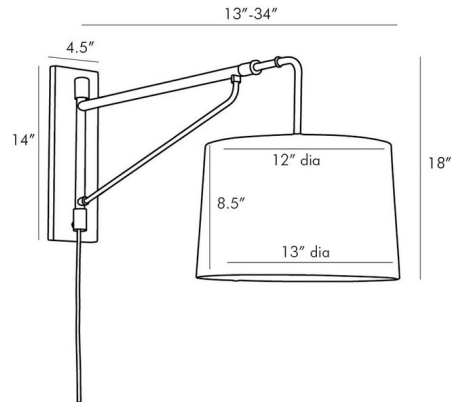


Description

The Anthony Wall Sconce features a traditional design that will brighten up any bedside. Featuring an adjustable steel arm, this versatile sconce allows one to pivot this piece to its desired direction. A small white linen shade contrasts handsomely with the two-toned hues of the bronze and antique brass finishes. Plug-in with the on/off switch located on the Black Cloth cord. Damp location rated. UL listed.



Shown in bronze / white linen



Specifications

COLOR	White Linen
BODY FINISH	Bronze
WATTAGE	8W
DIMMER	Standard 120V
DIMENSIONS	13"W x 18"H x 13.34"D
BULB NOT INCLUDED	1 x A19/Medium (E26)/8W/120V LED
OTHER BULB OPTIONS	1 x A19/Medium (E26)/120V LED 1 x A19/Medium (E26)/60W/120V Incandescent



CLICK TO VIEW PRODUCT

Notes: