

# Lightology

lightology.com  
866-954-4489  
05-25-26

Project: \_\_\_\_\_

Company: \_\_\_\_\_

Location: \_\_\_\_\_ Fixture Type: \_\_\_\_\_

SPEC #: **TWO901728**

Approved On: \_\_\_\_\_ Approved By: \_\_\_\_\_

## Hydrogen Pendant By Two Parts



### Description

The Hydrogen Pendant features a simple spherical shell that is lit within from a seemingly invisible light source. This fixture looks beautiful by itself or pair it with multiples to create a one of a kind look. Available in 1-light, 3-light, 5-light, or 7-light options and three color temperature options. 1-Light includes a 10 Watt 12V driver (2.7L x 1.6W x .9H) which fits inside most junction boxes, TRIAC, ELV, 0-10V dimming. 3-Light includes a 25 Watt 12V driver (3.1L x 1.5W x 1H) which fits inside most junction boxes, TRIAC, ELV, 0-10V dimming. 5-Light and 7-Light options include a 40 Watt 12V driver (3.5L x 2.5W x 1.2H) which fits inside most junction boxes, TRIAC, ELV, 0-10V dimming.

### Specifications

COLOR . . . . . Clear  
BODY FINISH . . . . . White  
WATTAGE . . . . . 5.5W  
DIMMER . . . . . Low Voltage Electronic  
DIMENSIONS . . . . . 6.6"W x 6.8"H x 6.1"D  
INTEGRATED LED MODULE . . . . . 1 x LED/5.5W/120V LED  
COUNTRY OF ORIGIN . . . . . United States

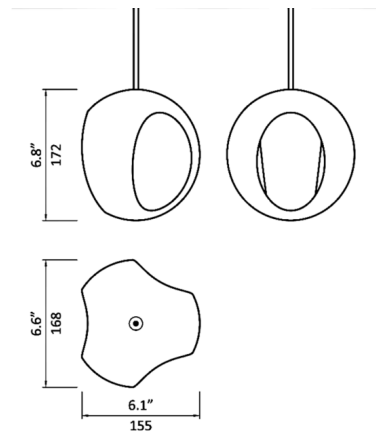
### Technical Information

LAMP LIFE . . . . . 50000 hours  
COLOR RENDERING . . . . . 95 CRI  
LAMP COLOR . . . . . 3500K  
LUMENS/WATT . . . . . 72.73  
LUMINOUS FLUX . . . . . 400 lumens

Notes:



Shown in white / clear



CLICK TO VIEW PRODUCT