

Lightology

lightology.com
866-954-4489
07-07-26

Project: _____

Company: _____

Location: _____ Fixture Type: _____

SPEC #: **CTO901915**

Approved On: _____ Approved By: _____

Carapace Pendant By CTO Lighting

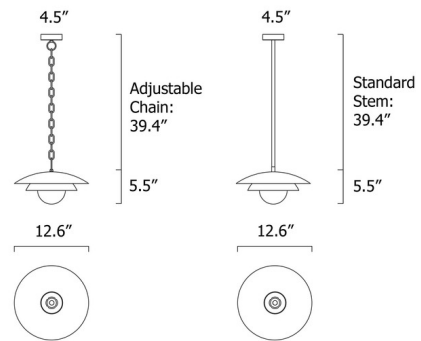


Description

The Carapace Pendant is a modern version of a 1920's light. The two hand spun metal shades are finished in Brass and Bronze, and complemented by an Opal glass globe diffuser. Note: Standard stem/chain length is 39.4 inches and is field adjustable. Custom length is available upon request. Please specify overall drop length when ordering.



Shown in satin brass / opal



Specifications

COLOR	Opal
BODY FINISH	Satin Brass
WATTAGE	25W
DIMMER	Standard 120V
DIMENSIONS	12.6"W x 5.5"H
BULB NOT INCLUDED	1 x JCD/G9/25W/120V Halogen
COUNTRY OF ORIGIN	United Kingdom

Technical Information

PRODUCT DIMENSIONS	Adjustable Chain Length: 39.4
--------------------	-------------------------------



CLICK TO VIEW PRODUCT

Notes: