

Lightology

lightology.com
866-954-4489
04-09-26

Project: _____

Company: _____

Location: _____ Fixture Type: _____

SPEC #: **HNM902231**

Approved On: _____ Approved By: _____

Parkdale Chair

By hollis+morris

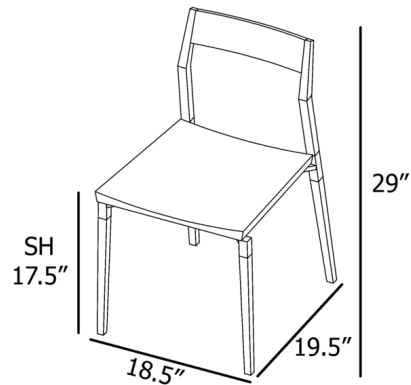


Description

The Parkdale Chair combines wood and metal to create a prominent chair that is essential for interior enhancement. Prominent steel components replace the connections that would typically be made from wood. A floating seat creates void space and enhances the attention paid to these essential moments of joinery. Available in Walnut, Natural Oak, Black Oak, and White Oak with Black or White metal accents.



Shown in walnut / black



Specifications

COLOR	Black
BODY FINISH	Walnut
WATTAGE	N/A
DIMMER	N/A
DIMENSIONS	18.5"W x 29"H x 19.5"D
BULB	N/A
COUNTRY OF ORIGIN	Canada

Technical Information

PRODUCT DIMENSIONS Seat Height: 17.5"



CLICK TO VIEW PRODUCT

Notes: