



BRAND

hollis+morris

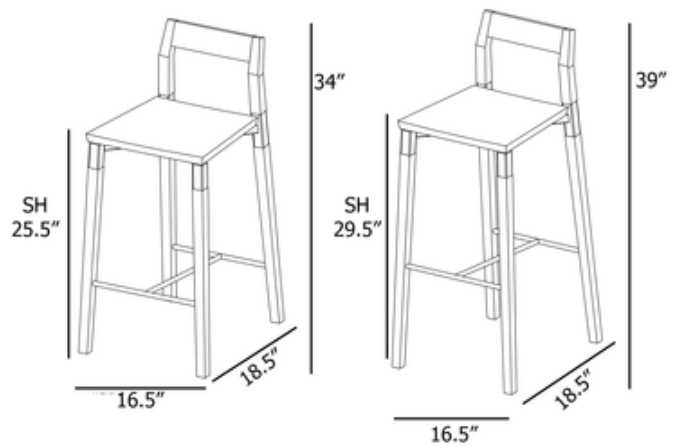
DESCRIPTION

The Parkdale Stool combines wood and metal to create a prominent stool that is essential for interior enhancement. Prominent steel components replace the connections that would typically be made from wood. A floating seat creates void space and enhances the attention paid to these essential moments of joinery. Choice of Walnut, Natural Oak, Black Oak, and White Oak with Black or White metal accents. Available in counter and bar heights.



Shown in: White Oak / Black

COLOR	Black
BODY FINISH	White Oak
WATTAGE	N/A
DIMMER	N/A
DIMENSIONS	16.5"W x 34"H x 18.5"D
LAMP	N/A



SPEC #

HNM902232

COMPANY

PROJECT

FIXTURE TYPE

APPROVED BY

DATE