

Lightology

lightology.com
866-954-4489
06-04-26

Project: _____

Company: _____

Location: _____ Fixture Type: _____

SPEC #: **DCW904591**

Approved On: _____ Approved By: _____

Biny Spot Wall Sconce

By DCW Editions

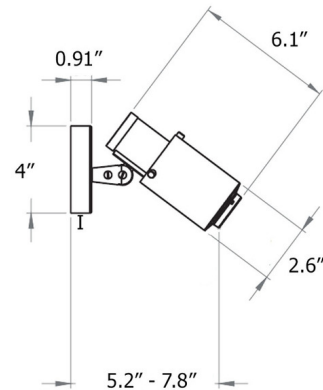


Description

The Biny Spot Wall Sconce is a clean simple piece that packs a powerful punch. Straight out of a Melies or Jules Vernes world, this piece directs light to your specific space. Biny's ball joint allows rotation of 330 degrees and an inclination of 88 degrees. Available with or without an On/Off toggle switch on the backplate as well as choice of integrated LED module or MR16 GU10 base socket.



Shown in matte black / gold



Specifications

| | |
|-----------------------|-----------------------|
| COLOR | Gold |
| BODY FINISH | Matte Black |
| WATTAGE | 4.5W |
| DIMMER | Not Dimmable |
| DIMENSIONS | 2.6"W x 6.1"H x 7.8"D |
| INTEGRATED LED MODULE | 1x LED/4.5W/120V LED |
| COUNTRY OF ORIGIN | China |

Technical Information

| | |
|-----------------|-----------|
| COLOR RENDERING | 80 CRI |
| LAMP COLOR | 2700K |
| LUMENS/WATT | 13.78 |
| LUMINOUS FLUX | 62 lumens |



CLICK TO VIEW PRODUCT

Notes: