



BRAND

Contrast Lighting

DESCRIPTION

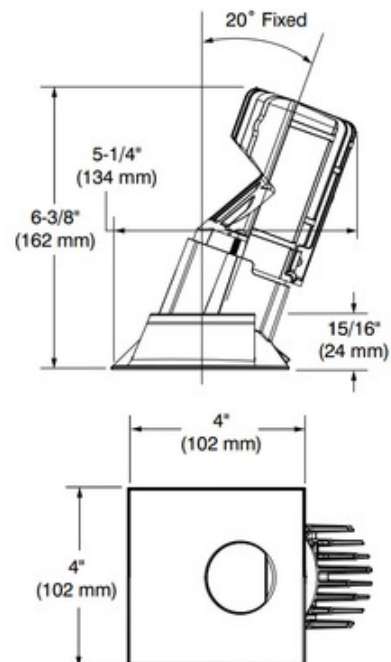
The Ardito A4SWW 4 Inch Series Square Flangeless Wall Wash Trim is a dimmable LED wall wash trim without flange. Features 54 degree beam angle. Includes frosted lens. Can fit in ceilings up to 1.5 inch thick. 4.25 inch x 4.25 inch ceiling cutout. Compatible with Ardito Performance 1 (14 watt/up to 1450 lumen) or Ardito Performance 2 (23 watt/up to 2050 lumen) housing with driver, sold separately. Dimmable with an electronic low voltage (120V only) or 0-10V (120-277 volt) dimmer, sold separately. See attached manufacturer specification for dimmer compatibility. A complete flangeless fixture includes a trim and housing, sold separately. Steel mud-in-plate (MIPA4S) for flangeless trim allows you to apply plaster up to Ardito fixture opening edges, sold separately. Trim module requires a 6.5 inch clearance beyond the ceiling. ****Discontinued Model****



TRIM COLOR	Frosted
BODY FINISH	Matte White
WATTAGE	14W
DIMMER	Low Voltage Electronic
DIMENSIONS	4"W x 6.38"H
INTEGRATED LED MODULE	
LAMP	1 x LED/14W/120V LED LED/120V LED

Technical Information

LUMINOUS FLUX	471 lumens
LUMENS/WATT	33.64
LAMP COLOR	3000K
COLOR RENDERING	90 CRI
BEAM ANGLE	54°
LAMP LIFE	50000 hours
FUNCTION	Wall Washer
CEILING TYPE	Drywall Trimless/Flush
APERTURE SHAPE	Square
SPEC #	CLT906513



COMPANY

PROJECT

FIXTURE TYPE

APPROVED BY

DATE
