

Lightology

lightology.com
866-954-4489
04-25-26

Project: _____

Company: _____

Location: _____ Fixture Type: _____

SPEC #: **ET2906641**

Approved On: _____ Approved By: _____

Hemisphere Pendant

By Et2



Description

The Hemisphere Pendant is constructed of double thick aluminum featuring a hammered interior finish that is polished adding not just a beautiful finish but also multiplying the lumen output. The outside features high polish enamel paint making it the ultimate reflective surface. Dimmable via Triac or electronic low voltage (ELV) dimming. Note: The 24in and 31in sizes are fitted with commercial grade LED and multi-volt input drivers that dim with both ELV and 0-10V functions.

Specifications

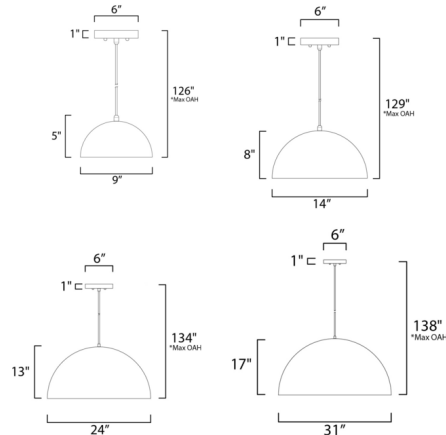
COLOR Black / Aluminum
BODY FINISH Gloss Black
WATTAGE 15W
DIMMER Low Voltage Electronic
DIMENSIONS 14"W x 8"H
INTEGRATED LED MODULE 1 x LED/15W/120V LED

Technical Information

LAMP LIFE 25000 hours
COLOR RENDERING 90 CRI
LAMP COLOR 3000K
LUMENS/WATT 100.00
LUMINOUS FLUX 1500 lumens



Shown in gloss black / black / aluminum



CLICK TO VIEW PRODUCT

Notes: