



BRAND

Et2

DESCRIPTION

The Floating Round 23 Inch Mirror features a round mirror that sits away from the base with integrated LED behind the glass. Available in Gold Leaf with Black. ETL listed, damp locations. ADA compliant.

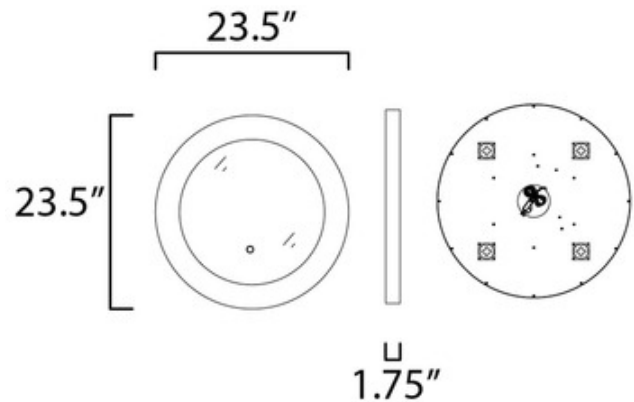


COLOR	White
BODY FINISH	Polished Chrome
WATTAGE	N/A
DIMMER	N/A
DIMENSIONS	23.5"W x 23.5"H x 1.75"D
INTEGRATED LED MODULE	
LAMP	N/A

Technical Information

LUMINOUS FLUX	2240 lumens
LUMENS/WATT	80.00
LAMP COLOR	6400K
COLOR RENDERING	80 CRI

SPEC # ET2906691



COMPANY	PROJECT	FIXTURE TYPE	APPROVED BY	DATE