



BRAND

Et2

DESCRIPTION

The Hive Pendant features a unique shape with ridges giving it the outline of a bee's hive, perfect by itself or in multiple creating a one of a kind fixture. Available in Gray or White finish. ETL listed. Title 24/JA8 compliant.



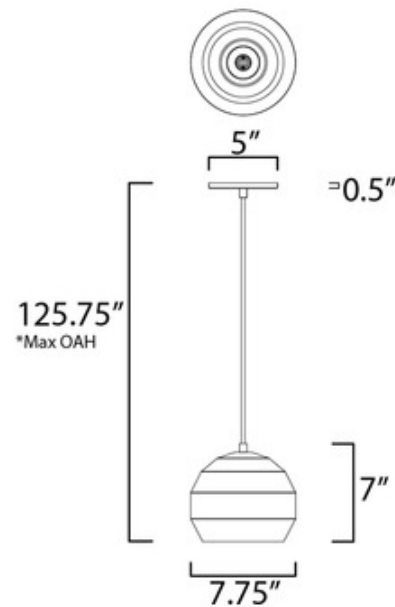
Shown in: White

SHADE COLOR	N/A
BODY FINISH	White
WATTAGE	7W
DIMMER	Low Voltage Electronic
DIMENSIONS	7.75"W x 7"H
BULB INCLUDED	
LAMP	1 x MR16/GU10/7W/120V LED

Technical Information

LUMINOUS FLUX	490 lumens
LUMENS/WATT	70.00
LAMP COLOR	3000K
COLOR RENDERING	90 CRI
LAMP LIFE	25000 hours

SPEC # ET2906704



*max overall height

COMPANY	PROJECT	FIXTURE TYPE	APPROVED BY	DATE