

Lightology

lightology.com
866-954-4489
05-21-26

Project: _____

Company: _____

Location: _____ Fixture Type: _____

SPEC #: **ET2906718**

Approved On: _____ Approved By: _____

Newton 25 Light Pendant By Et2



Description

The Newton 25 Light Pendant features clear apple shaped glass with Satin Brass cores with integrated LED for even illumination without glare. The large scale 25 light comes with pre-arranged for ease of installation and perfect for tall ceiling application. ETL listed.

Specifications

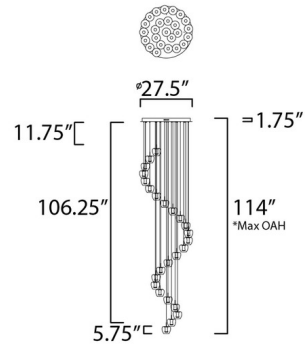
COLOR	Clear
BODY FINISH	Satin Brass
WATTAGE	1500W
DIMMER	Low Voltage Electronic
DIMENSIONS	27.5"W x 5.75"H
INTEGRATED LED MODULE	25 x LED/60W/120V LED

Technical Information

PRODUCT DIMENSIONS	Min/Max Overall Height: 102.75" – 114"
LAMP LIFE	30000 hours
COLOR RENDERING	.80 CRI
LAMP COLOR	.3000K
LUMENS/WATT	.70.00
LUMINOUS FLUX	4200 lumens



Shown in satin brass / clear



*max overall height



CLICK TO VIEW PRODUCT

Notes: