

Lightology

lightology.com
866-954-4489
06-04-26

Project: _____
 Company: _____
 Location: _____ Fixture Type: _____
 SPEC #: **MFR907568**
 Approved On: _____ Approved By: _____

Chaos Linear Chandelier By Modern Forms



Description

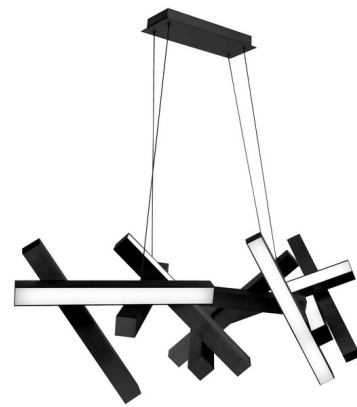
Like piano keys falling through the air, the Chaos Linear Chandelier freezes a moment in time with breathtaking elegance. Ultra-thin powered aircraft cables stabilize the suspension, holding everything in place with as little visual interference as possible. Each section of this sculptural form is equipped with consistent, highly efficient LEDs for refined illumination throughout. Available in 21 or 72 inch width and with a Brushed Aluminum, Aged Brass, or Black finish. Damp location rated. ETL and Title 24 listed.

Specifications

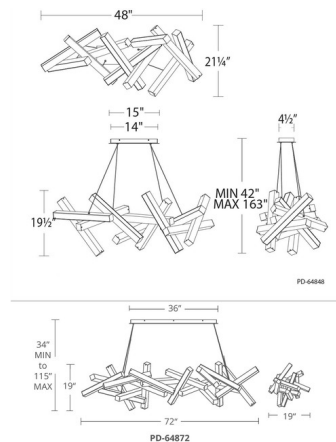
COLOR	White
BODY FINISH	Black
WATTAGE	330W
DIMMER	Low Voltage Electronic
DIMENSIONS	48"L x 21.25"W x 19.5"H x 19"D
INTEGRATED LED MODULE	11 x LED/30W/120-277V LED
COUNTRY OF ORIGIN	China

Technical Information

PRODUCT DIMENSIONS	Max Overall Height: 163"
LAMP LIFE	50000 hours
COLOR RENDERING	90 CRI
LAMP COLOR	3000K
LUMENS/WATT	77.87
LUMINOUS FLUX	2336 lumens



Shown in black / white



CLICK TO VIEW PRODUCT

Notes: