

Lightology

lightology.com
866-954-4489
04-24-26

Project: _____
 Company: _____
 Location: _____ Fixture Type: _____
 SPEC #: **MFR907689**
 Approved On: _____ Approved By: _____

Minx Wall Sconce By Modern Forms



Description

The Minx Wall Sconce is a glimmering torch of reclaimed fragments of K5 crystal. Discreetly hidden within the luminaire, LEDs offer long-lasting up and down lighting. Elevate your design with illumination that adds a finishing touch of refinement. Available in Aged Brass or Antique Nickel. Damp location rated. ADA compliant. ETL listed.

Specifications

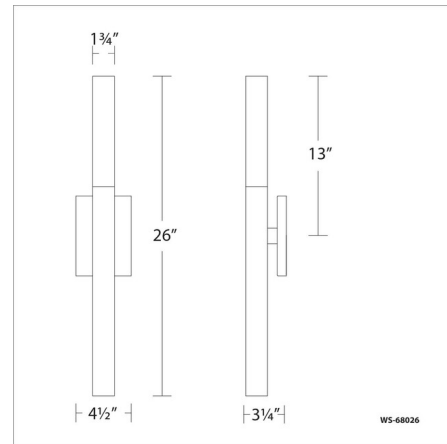
COLOR	Crystal
BODY FINISH	Aged Brass
WATTAGE	9W
DIMMER	Low Voltage Electronic
DIMENSIONS	4.5"W x 26"H x 3.25"D
INTEGRATED LED MODULE	1 x LED/9W/120-277V LED
COUNTRY OF ORIGIN	China

Technical Information

LAMP LIFE	54000 hours
COLOR RENDERING	90 CRI
LAMP COLOR	3000K
LUMENS/WATT	68.33
LUMINOUS FLUX	615 lumens



Shown in aged brass / crystal



CLICK TO VIEW PRODUCT

Notes: