



**BRAND**

PureEdge Lighting

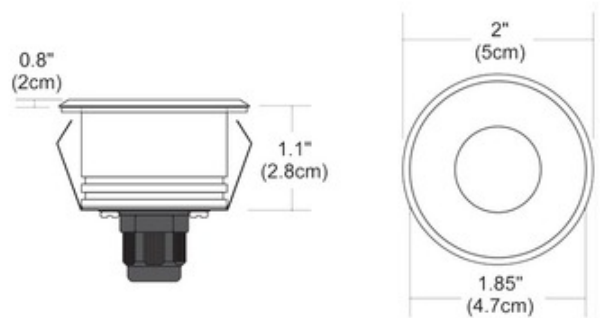
**DESCRIPTION**

Miniport Junction Box Cover for use in recessing Miniport into a wall or floor. Can be used in indoor or outdoor locations. ETL listed. Suitable for wet locations with used with a wet location electrical box, sold separately. Only needed when fixture is recess mounted. 1.7 inch diameter x 1.5 inch height with 4.4 inch diameter base. For use with Edge Lighting Miniport LED fixture, sold separately.



<b>SHADE COLOR</b>	Black
<b>BODY FINISH</b>	N/A
<b>WATTAGE</b>	N/A
<b>DIMMER</b>	N/A
<b>DIMENSIONS</b>	1.7"W x 1.5"H
<b>LAMP</b>	N/A

**SPEC #** EDG912417



COMPANY	PROJECT	FIXTURE TYPE	APPROVED BY	DATE