

Lightology

lightology.com
866-954-4489
04-17-26

Project: _____
 Company: _____
 Location: _____ Fixture Type: _____
 SPEC #: **MTO917759**
 Approved On: _____ Approved By: _____

Hollis Wall Sconce By Matteo Lighting

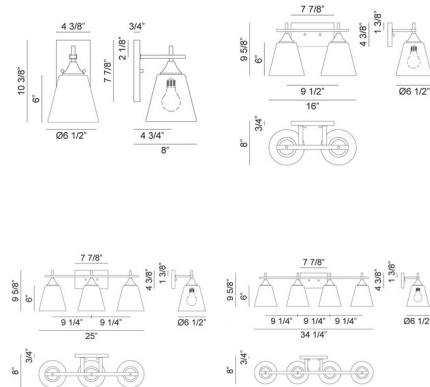


Description

The Hollis Wall Sconce brings a fresh update to a traditional style of wall lighting. Anchoring the design of the Hollis is a rectangular canopy with linear arms that hold cone-shaped Clear Glass shades. Not only elegant, the Hollis shows versatility by being able to be mounted with the Glass down or up. Place this sconce near the bed, in the office, or anyplace where layered lighting is needed. Available in Aged Gold Brass or Black. Configured with 1, 2, 3, or 4 bulbs. UL and ETL listed.



Shown in aged gold brass / clear



Specifications

| | |
|--------------------|---|
| COLOR | Clear |
| BODY FINISH | Aged Gold Brass |
| WATTAGE | 40W |
| DIMMER | Standard 120V |
| DIMENSIONS | 6.12"W x 10.38"H x 8"D |
| BULB NOT INCLUDED | 1 x Edison/Medium (E26)/40W/120V Incandescent |
| OTHER BULB OPTIONS | 1 x Edison/Medium (E26)/120V LED |



CLICK TO VIEW PRODUCT

Notes: