

Lightology

lightology.com
866-954-4489
05-18-26

Project: _____

Company: _____

Location: _____ Fixture Type: _____

SPEC #: **WAC919897**

Approved On: _____ Approved By: _____

Mylie Wall Sconce By WAC Lighting



Description

The Mylie Wall Sconce's clean and simple design echos the appeal of modern minimalism. Constructed of steel, the frame gently holds a semi-circle Opal Glass shade that softly diffuses the light from the integrated LEDs. Place the Mylie in the bedroom, bathroom, or anyplace where layered lighting is needed. Damp location rated. ADA compliant. ETL and Title 24 listed.

Specifications

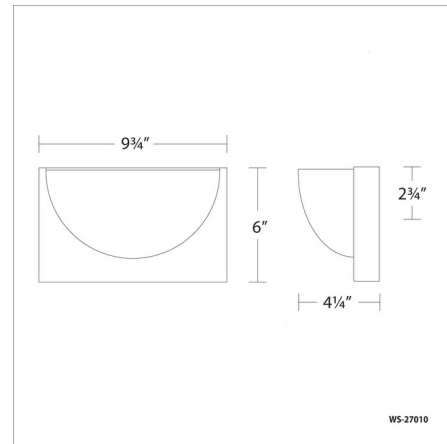
COLOR Opal
BODY FINISH Aged Brass
WATTAGE 19W
DIMMER N/A
DIMENSIONS 10"W x 6"H x 4"D
INTEGRATED LED MODULE 1 x LED/19W/120V LED
COUNTRY OF ORIGIN China

Technical Information

LAMP LIFE 54000 hours
BEAM ANGLE 35°
COLOR RENDERING 90 CRI
LAMP COLOR 3000K
LUMENS/WATT 46.84
LUMINOUS FLUX 890 lumens



Shown in aged brass / opal



CLICK TO VIEW PRODUCT

Notes: