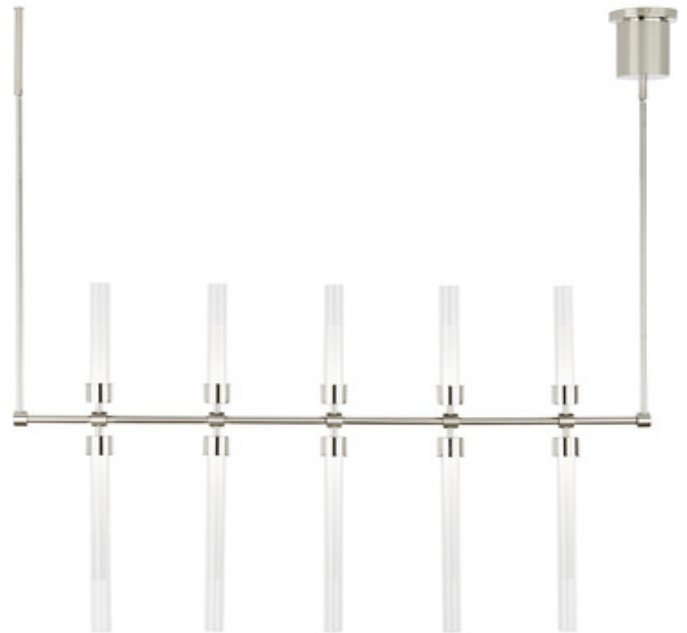




DESIGNER Sean Lavin
BRAND Visual Comfort Modern

DESCRIPTION

The Linger Linear Pendant showcases elegant glass and acrylic pipe shades lined up along a sleek, minimal frame. The double layer shades offer dimension and a unique modern aesthetic as they glow with LED light. This suspension provides ambient lighting that is perfect for commercial spaces, restaurants, and kitchens. 120V: TRIAC and ELV dimmable. 277V: 0-10V dimmable.



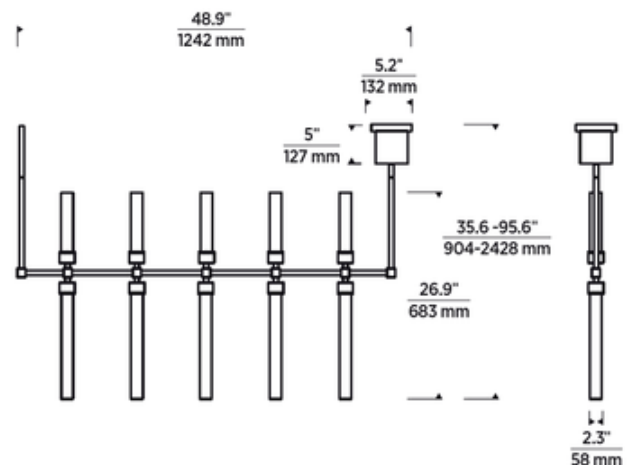
Shown in: Polished Nickel / Clear

SHADE COLOR	Clear
BODY FINISH	Polished Nickel
WATTAGE	46W
DIMMER	Low Voltage Electronic
DIMENSIONS	48.9"L x 2.3"W x 26.9"H
INTEGRATED LED MODULE	
LAMP	10 x LED/4.6W/120V LED

Technical Information

LUMINOUS FLUX	3775 lumens
LUMENS/WATT	820.65
LAMP COLOR	3000K
COLOR RENDERING	90 CRI

SPEC # TLG924669



COMPANY	PROJECT	FIXTURE TYPE	APPROVED BY	DATE