

Lightology

lightology.com
866-954-4489
04-21-26

Project: _____

Company: _____

Location: _____ Fixture Type: _____

SPEC #: **VIB924918**

Approved On: _____ Approved By: _____

Palma Linear Pendant

By Vibia



Description

The Palma Linear Pendant brings the origin of beautiful gardens indoor. It introduces flora combined with lighting, aimed at creating a sense of well-being, calm and cheerfulness into our daily environments. Minimal shapes and materials combine the organic and the immateriality of light. Opal blown glass spheres are complimented by a Matte Graphite finish. Features a spot light for plant. Driver included 120-277V. Includes hooks for hanging. Plant not included. UL listed.

Specifications

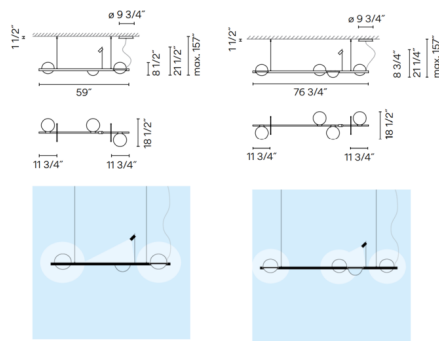
COLOR	Opal
BODY FINISH	Graphite
WATTAGE	29.6W
DIMMER	0-10V
DIMENSIONS	76.75"L x 8.75"W x 18.5"H
INTEGRATED LED MODULE	6 x LED/4.6W/120-277V LED
INTEGRATED LED MODULE	1 x LED/2W/120-277V LED
COUNTRY OF ORIGIN	Spain

Technical Information

COLOR RENDERING	90 CRI
LAMP COLOR	2700K
LUMENS/WATT	593.48
LUMINOUS FLUX	2730 lumens



Shown in graphite / opal



CLICK TO VIEW PRODUCT

Notes: