



**BRAND** Visual Comfort Architectural

**DESCRIPTION**

The 2 Inch Round Flanged Adjustable Downlight Chicago Plenum Housing is constructed of heavy gauge cold rolled steel with a durable Black powder coat finish. This specification grade housing features an integral 12 watt (average 930 lumens) or 17 watt (average 1250 lumens) LED module in three color temperature options with 20, 30, 40 or 60 degree beam angle, or Warm Dim (3000K to 1800K) in low output 12 watt (average 850 lumens) and 20, 30, 40 or 60 degree beam angle. 2.75 inch ceiling cutout, suitable for ceilings up to 2 inch thick. ETL listed. Suitable for damp locations. Title 24 compliant. 5 year warranty. 120-277V Universal driver with standard reverse-phase, forward-phase, TRIAC, and 0-10V dimming down to 1%, sold separately. A complete fixture requires a housing and trim, sold separately. Note: Warm Dim option available in low output only (12 Watt).



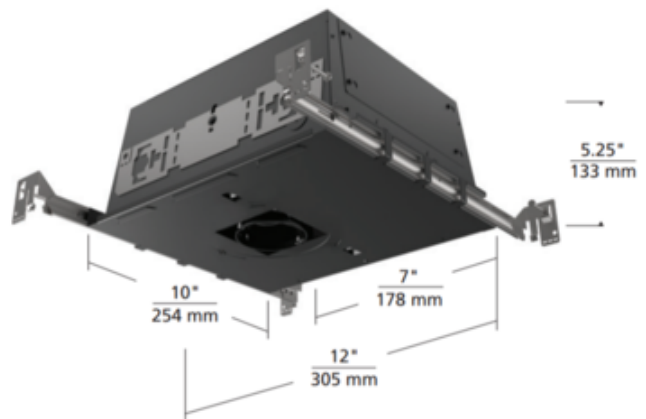
Shown in: Black

<b>TRIM COLOR</b>	N/A
<b>BODY FINISH</b>	Black
<b>WATTAGE</b>	12W
<b>DIMMER</b>	Low Voltage Electronic
<b>DIMENSIONS</b>	12"L x 10"W x 5.25"H
<b>INTEGRATED LED MODULE</b>	
<b>LAMP</b>	1 x LED/12W/120-277V LED

*Technical Information*

<b>LUMINOUS FLUX</b>	939 lumens
<b>LUMENS/WATT</b>	78.25
<b>LAMP COLOR</b>	2700K
<b>COLOR RENDERING</b>	90 CRI
<b>BEAM ANGLE</b>	20°
<b>LAMP LIFE</b>	50000 hours
<b>CEILING TYPE</b>	Drywall with Trim
<b>HOUSING TYPE</b>	Chicago plenum approved
<b>HOUSING HEIGHT</b>	6"

**SPEC #** ELE929462



COMPANY	PROJECT	FIXTURE TYPE	APPROVED BY	DATE