



**BRAND** Element by Tech Lighting

**DESCRIPTION**

The 2 Inch Round Flangeless Adjustable Downlight Chicago Plenum Housing is constructed of heavy gauge cold rolled steel with a durable Black powder coat finish. This specification grade housing features an integral 12 watt (average 930 lumens) or 17 watt (average 1250 lumens) LED module in three color temperature options with 20, 30, 40 or 60 degree beam angle, or Warm Dim (3000K to 1800K) in low output 12 watt (average 850 lumens) and 20, 30, 40 or 60 degree beam angle. 2.75 inch ceiling cutout, suitable for ceilings up to 2 inch thick. ETL listed. Suitable for damp locations. Title 24 compliant. 5 year warranty. Dimmable down to 5 percent with an electronic low voltage (ELV) or 1 percent with a 0-10V dimmer, sold separately. A complete fixture consists of a housing and trim, sold separately. NOTE: WARM DIM OPTION AVAILABLE IN LOW OUTPUT (12 WATT) ONLY.



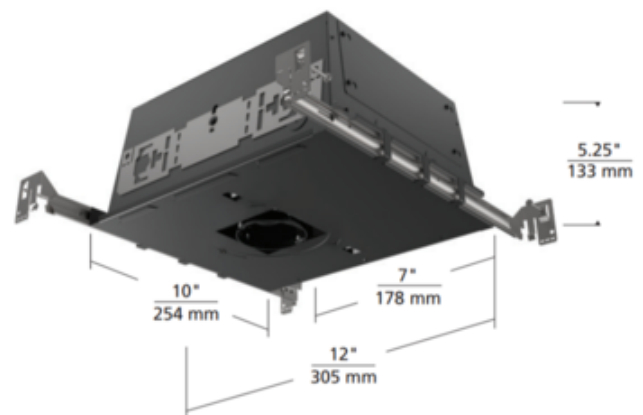
Shown in: Black

<b>TRIM COLOR</b>	N/A
<b>BODY FINISH</b>	Black
<b>WATTAGE</b>	12W
<b>DIMMER</b>	Low Voltage Electronic
<b>DIMENSIONS</b>	12"L x 10"W x 5.25"H
<b>LAMP</b>	1 x LED/12W/120V LED

*Technical Information*

<b>LUMINOUS FLUX</b>	939 lumens
<b>LUMENS/WATT</b>	78.25
<b>LAMP COLOR</b>	2700 K
<b>COLOR RENDERING</b>	90 CRI
<b>BEAM ANGLE</b>	20°
<b>LAMP LIFE</b>	50000 hours
<b>CEILING TYPE</b>	Drywall Trimless/Flush
<b>HOUSING TYPE</b>	Chicago plenum approved
<b>HOUSING HEIGHT</b>	6"

**ITEM NUMBER** ELE929638



COMPANY	PROJECT	FIXTURE TYPE	APPROVED BY	DATE