

Lightology

lightology.com
866-954-4489
05-02-26

Project: _____
 Company: _____
 Location: _____ Fixture Type: _____
 SPEC #: **ELE930587**
 Approved On: _____ Approved By: _____

Element 2 inch SQ Flanged Adjustable Remodel Non-IC Housing By Visual Comfort Architectural



Description

2 Inch Square Flanged Adjustable Downlight and Wall Wash Non-IC Remodel Housing. Non-IC designation requires that insulation be kept a minimum of 3 inches away from housing. Housing features an integral 12 watt (average 930 lumens) or 17 watt (average 1250 lumens) LED module in three color temperature options with 20, 30, 40 or 60 degree beam angle, or Warm Dim (3000K to 1800K) in low output (12 watt/average 850 lumens) and 20, 30, 40 or 60 degree beam angle. 30 degree optimal for wall wash use. Adjust to 15 degree tilt for wall wash application. Features 0-45 degree tilt, 361 degree rotation, and high-low lamp positioning. Suitable for ceiling thickness up to 2 inches. 2.75 inch ceiling opening. ETL listed. Suitable for damp locations. Suitable for wet locations with shower trim. 5 year warranty. A complete fixture includes a housing and trim sold separately. NOTE: LOW OUTPUT (12 WATT) ONLY OPTION AVAILABLE FOR WARM DIM.

Specifications

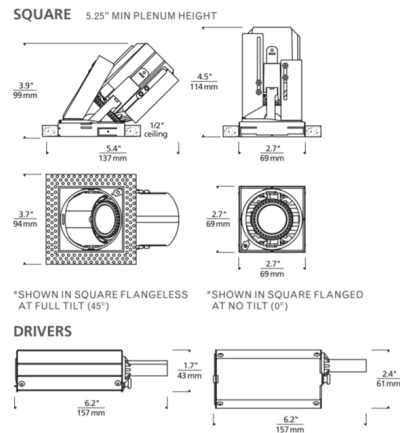
REFLECTOR/BAFFLE COLOR	N/A
BODY FINISH	Black
WATTAGE	12W
DIMMER	Low Voltage Electronic
DIMENSIONS	2.7"L x 2.7"W x 4.5"H
INTEGRATED LED MODULE	1 x LED/12W/120V LED

Technical Information

APERTURE SIZE	2.000"
APERTURE SHAPE	Square
HOUSING HEIGHT	6"
HOUSING TYPE	Remodel NON IC
CEILING TYPE	Drywall with Trim
LAMP LIFE	50000 hours
BEAM ANGLE	20°
COLOR RENDERING	90 CRI
LAMP COLOR	2700K
LUMENS/WATT	77.50
LUMINOUS FLUX	930 lumens



Shown in black



CLICK TO VIEW PRODUCT

Notes: