

Lightology

lightology.com
866-954-4489
04-27-26

Project: _____
 Company: _____
 Location: _____ Fixture Type: _____
 SPEC #: **ELE930691**
 Approved On: _____ Approved By: _____

Element 2 inch SQ Flangeless Adjustable Remodel Non-IC Housing

By Visual Comfort Architectural



Description

2 Inch Square Flangeless Adjustable Downlight and Wall Wash Non-IC Remodel Housing. Non-IC designation requires that insulation be kept a minimum of 3 inches away from housing. Housing features an integral 12 watt or 17 watt LED module in three color temperature options with 20, 30, 40 or 60 degree beam angle, 90CRI. 30 degree optimal for wall wash use. Adjust to 15 degree tilt for wall wash application. Features 0-45 degree tilt, 361 degree rotation, and high-low lamp positioning. Suitable for ceiling thickness up to 2 inches. 2.75 inch ceiling opening. ETL listed. Suitable for damp locations. Suitable for wet locations with shower trim. 5 year warranty. A complete fixture includes a housing and trim sold separately. Note: LOW OUTPUT (12 WATT) ONLY OPTION AVAILABLE FOR WARM DIM.

Specifications

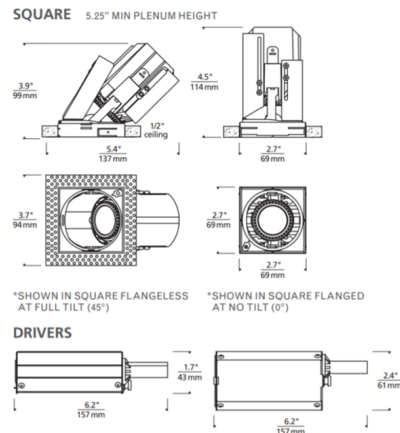
REFLECTOR/BAFFLE COLOR	N/A
BODY FINISH	Black
WATTAGE	12W
DIMMER	Low Voltage Electronic
DIMENSIONS	2.7"L x 2.7"W x 4.5"H
INTEGRATED LED MODULE	1 x LED/12W/120-277V LED

Technical Information

APERTURE SIZE	3.700"
APERTURE SHAPE	Square
HOUSING HEIGHT	5"
HOUSING TYPE	Remodel NON IC
CEILING TYPE	Drywall Trimless/Flush
FUNCTION	Adjustable Accent
LAMP LIFE	50000 hours
BEAM ANGLE	20°
COLOR RENDERING	90 CRI
LAMP COLOR	2700K
LUMENS/WATT	78.25
LUMINOUS FLUX	939 lumens



Shown in black



CLICK TO VIEW PRODUCT

Notes: