

Lightology

lightology.com
866-954-4489
05-24-26

Project: _____

Company: _____

Location: _____ Fixture Type: _____

SPEC #: **ELE930996**

Approved On: _____ Approved By: _____

Multiples Open Light Module

By Visual Comfort Architectural



Description

The Multiples Open Light Module features a patented LED spot dome module with a remarkable tool-free adjustment and locking mechanism. Available in three color temperatures with general illumination, wall wash, or spot optics (20, 30, 40, or 60 degree beam spots). Offered with a White or Black finish. ETL listed. Title 24 Compliant. For use with Element Lighting Multiples Housings, sold separately.

Specifications

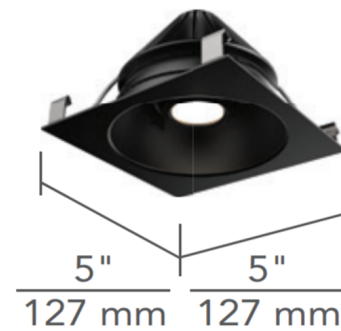
| | |
|------------------------|------------------|
| REFLECTOR/BAFFLE COLOR | N/A |
| BODY FINISH | White |
| WATTAGE | N/A |
| DIMMER | N/A |
| DIMENSIONS | 5"W x 5"H |
| INTEGRATED LED MODULE | 1 x LED/120V LED |

Technical Information

| | |
|-----------------|-------------|
| APERTURE SHAPE | Square |
| LAMP LIFE | 50000 hours |
| BEAM ANGLE | 40° |
| COLOR RENDERING | .90 CRI |
| LAMP COLOR | .3000K |



Shown in white



CLICK TO VIEW PRODUCT

Notes: