

# Lightology

lightology.com  
866-954-4489  
05-24-26

Project: \_\_\_\_\_  
 Company: \_\_\_\_\_  
 Location: \_\_\_\_\_ Fixture Type: \_\_\_\_\_  
 SPEC #: **ELE931281**  
 Approved On: \_\_\_\_\_ Approved By: \_\_\_\_\_

## 1X1 Trimmed Flanged Non-IC Airtight Housing By Visual Comfort Architectural



### Description

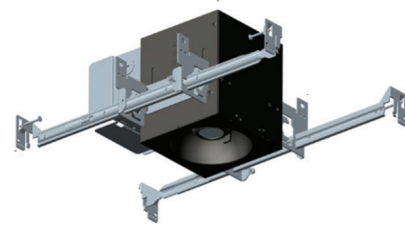
1X1 Trimmed Flanged 1-Light Non-IC Airtight Housing is constructed of heavy gauge cold rolled steel with durable Black or White powder coat finish. Available in a low output (1 x 12 watt) or high output (1 x 17 watt) option. Features a unique patented LED spot dome module enabling tool-free adjustment and locking while maintaining center beam through the aperture. 35 degree tilt, 360 degree rotation. Low profile design for use in standard 2X6 construction. Accommodates up to 2 inch ceiling thickness. Includes integrated junction box approved for branch circuit through wiring. Housing includes individual driver for each module (ie: 1 driver in a 1x1). 5 inch x 5 inch ceiling cut-out per module. ETL listed. Suitable for damp locations. 5 year warranty. Dimming Options: Electronic low voltage (ELV) down to

### Specifications

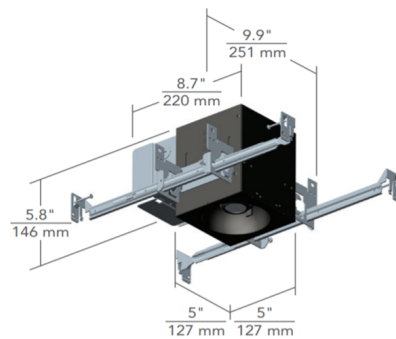
REFLECTOR/BAFFLE COLOR	.....	N/A
BODY FINISH	.....	Black
WATTAGE	.....	12W
DIMMER	.....	Low Voltage Electronic
DIMENSIONS	.....	9.9"L x 8.7"W x 5.8"H
INTEGRATED LED MODULE	.....	1 x LED/12W/120-277V LED

### Technical Information

APERTURE SIZE	.....	2.800"
HOUSING HEIGHT	.....	6"
HOUSING TYPE	.....	New construction NON IC Airtight
CEILING TYPE	.....	Drywall with Trim
LUMENS/WATT	.....	104.00
LUMINOUS FLUX	.....	1248 lumens



Shown in black



CLICK TO VIEW PRODUCT

Notes: