

# Lightology

lightology.com  
866-954-4489  
05-24-26

Project: \_\_\_\_\_

Company: \_\_\_\_\_

Location: \_\_\_\_\_ Fixture Type: \_\_\_\_\_

SPEC #: **ELE931321**

Approved On: \_\_\_\_\_ Approved By: \_\_\_\_\_

## 1X2 Trimmed Flanged Non-IC Airtight Housing By Visual Comfort Architectural



### Description

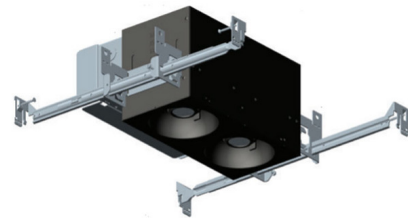
1X2 Trimmed Flanged 2-Light Non-IC Airtight Housing is constructed of heavy gauge cold rolled steel with durable Black or White powder coat finish. Available in a low output (2 x 12 watt) or high output (2 x 17 watt) option. Features a unique patented LED spot dome module enabling tool-free adjustment and locking while maintaining center beam through the aperture. 35 degree tilt, 360 degree rotation. Low profile design for use in standard 2X6 construction. Accommodates up to 2 inch ceiling thickness. Includes integrated junction box approved for branch circuit through wiring. Housing includes individual driver for each module (ie: 2 drivers in a 1x2). 5 inch x 5 inch ceiling cut-out per module. ETL listed. Suitable for damp locations. 5 year warranty. Dimming Options: Electronic low voltage (ELV) down to

### Specifications

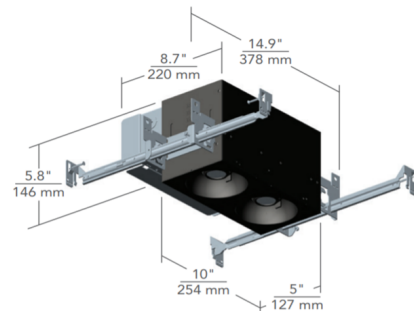
REFLECTOR/BAFFLE COLOR	N/A
BODY FINISH	Black
WATTAGE	24W
DIMMER	Low Voltage Electronic
DIMENSIONS	14.9"L x 8.7"W x 5.8"H
INTEGRATED LED MODULE	2 x LED/12W/120-277V LED

### Technical Information

APERTURE SIZE	2.800"
APERTURE SHAPE	Rectangular
HOUSING HEIGHT	6"
HOUSING TYPE	New construction NON IC Airtight
CEILING TYPE	Drywall with Trim
LUMENS/WATT	208.00
LUMINOUS FLUX	2496 lumens



Shown in black



CLICK TO VIEW PRODUCT

Notes: