

Lightology

lightology.com
866-954-4489
06-30-26

Project: _____
 Company: _____
 Location: _____ Fixture Type: _____
 SPEC #: **HMR932421**
 Approved On: _____ Approved By: _____

Nova Gem Pendant By Hammerton Studio



Description

The Nova Gem Pendant is a clean simple piece with a touch of glamour, perfect in a variety of interior styles. The artisan blown and cast glass shade has a hidden floret, geo, or zircon shaped gem inside that lights up to create an interesting conversation piece. Each Piece is a unique work of art. Choose from a Smoke, Clear, Bronze, or Amber shade with a Floret, Geo, or Zircon inner element with a Matte Black, Metallic Beige Silver, Flat Bronze, or Gilded Brass finish. Made in the USA. UL listed.

Specifications

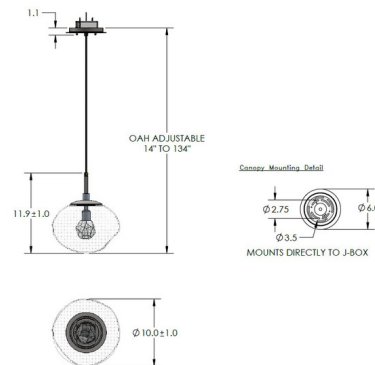
COLOR Bronze Zircon
 BODY FINISH Flat Bronze
 WATTAGE 5.2W
 DIMMER Low Voltage Electronic
 DIMENSIONS 10"W x 12"H x 7.5"D
 INTEGRATED LED MODULE 1 x LED/5.2W/120V LED
 COUNTRY OF ORIGIN United States

Technical Information

COLOR RENDERING 93 CRI
 LAMP COLOR 2700K
 LUMENS/WATT 65.38
 LUMINOUS FLUX 340 lumens



Shown in flat bronze / bronze zircon



CLICK TO VIEW PRODUCT

Notes: