

Lightology

lightology.com
866-954-4489
05-21-26

Project: _____
 Company: _____
 Location: _____ Fixture Type: _____
 SPEC #: **ELE934709**
 Approved On: _____ Approved By: _____

1X2 Trimmed Flangeless Non-IC Airtight Housing

By Visual Comfort Architectural



Description

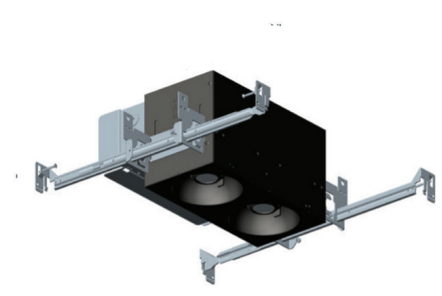
1X2 Flangeless 2-Light Non-IC Airtight Housing is constructed of heavy gauge cold rolled steel with durable Black or White powder coat finish. Available in a low output (2 x 12 watt) or high output (2 x 17 watt) option. Features a unique patented LED spot dome module enabling tool-free adjustment and locking while maintaining center beam through the aperture. 35 degree tilt, 360 degree rotation. Low profile design for use in standard 2X6 construction. Accommodates up to 2 inch ceiling thickness. Includes integrated junction box approved for branch circuit through wiring. Housing includes individual driver for each module (ie: 2 drivers in a 1x2). Flangeless housing includes extruded and precision welded aluminum plaster plate. 5 inch x 5 inch ceiling cut-out per module. ETL listed. Suitable for damp locations. 5 year warranty. Dimming Options: Electronic low voltage (ELV) down to

Specifications

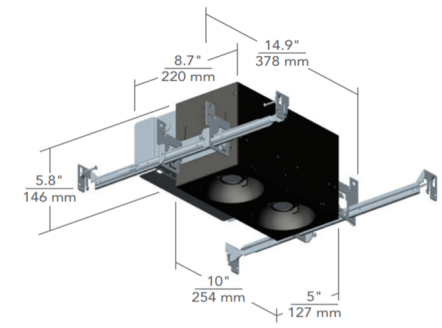
REFLECTOR/BAFFLE COLOR	N/A
BODY FINISH	Black
WATTAGE	24W
DIMMER	Low Voltage Electronic
DIMENSIONS	14.9"L x 8.7"W x 5.8"H
INTEGRATED LED MODULE	2 x LED/12W/120-277V LED

Technical Information

APERTURE SIZE	2.800"
HOUSING HEIGHT	6"
HOUSING TYPE	New construction NON IC Airtight
CEILING TYPE	Drywall Trimless/Flush
LUMENS/WATT	208.00
LUMINOUS FLUX	2496 lumens



Shown in black



CLICK TO VIEW PRODUCT

Notes: