

Lightology

lightology.com
866-954-4489
04-23-26

Project: _____
 Company: _____
 Location: _____ Fixture Type: _____
 SPEC #: **ELE936747**
 Approved On: _____ Approved By: _____

Element 4IN RD Flangeless Fixed New Construction IC Housing By Visual Comfort Architectural



Description

The 4 Inch Round Flangeless Fixed Downlight IC Airtight Housing is constructed of heavy gauge cold rolled steel with a durable Matte Black powder coat finish. IC designation allows for insulation to be in direct contact with housing. This specification grade housing features an integral low output 17 watt or high output 29 watt LED module available with choice of 2700K, 3000K or 3500K color temperature, or Warm Dim 3000K-1800K. Available in a 10 degree, 18 degree, 25 degree, 40 degree, or 60 degree beam angle option. High-low positioning, 45 degree collar rotation. 4.50 inch ceiling cutout. ETL listed. Suitable for damp locations. Title 24 compliant. 5 year warranty. Dimmable down to 5 percent with an electronic low voltage (ELV) or 1 percent with a 0-10V dimmer, sold separately. A complete fixture includes a housing and trim, sold separately. NOTE: 10 DEGREE BEAM ANGLE AVAILABLE ON LOW OUTPUT (17 WATT) IN 2700K, 3000K AND 3500K COLOR TEMPERATURE OPTIONS ONLY.

Specifications

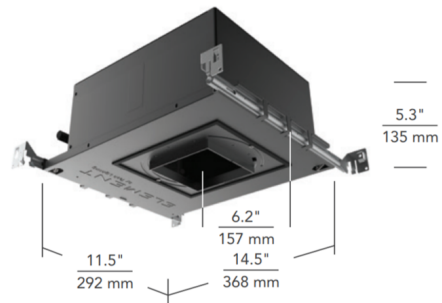
REFLECTOR/BAFFLE COLOR	N/A
BODY FINISH	Matte Black
WATTAGE	17W
DIMMER	Low Voltage Electronic
DIMENSIONS	14.5"L x 11.5"W x 5.3"H
INTEGRATED LED MODULE	1 x LED/17W/120V LED

Technical Information

APERTURE SIZE	6.000"
APERTURE SHAPE	Round
HOUSING HEIGHT	5"
HOUSING TYPE	New construction IC Airtight
CEILING TYPE	Drywall Trimless/Flush
FUNCTION	Downlight
BEAM ANGLE	40°
COLOR RENDERING	90 CRI
LAMP COLOR	2700K
LUMENS/WATT	85.53
LUMINOUS FLUX	1454 lumens



Shown in matte black



CLICK TO VIEW PRODUCT

Notes: