

Lightology

lightology.com
866-954-4489
05-17-26

Project: _____
 Company: _____
 Location: _____ Fixture Type: _____
 SPEC #: **ELE942849**
 Approved On: _____ Approved By: _____

Element 3IN RD Flangeless Downlight Low-Profile Housing By Visual Comfort Architectural



Description

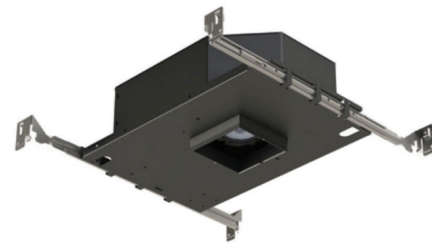
3 Inch Round 90CRI Flangeless Fixed Downlight Low-Profile IC Airtight or Chicago Plenum New Construction Housing for round flangeless trims. Small aperture LED downlight with architectural appearance. Includes a 12 or 17 watt LED module with 2700K, 3000K or 3500K color temperature or with Warm Dim LED (3000K-1800K). Offered with a 10, 18, 25, 40 or 60 degree beam angle. 3 7/8 inch ceiling opening. Suitable for damp locations. Suitable for wet locations with shower trim option. Includes a 120-277V Universal driver dimmable with standard reverse-phase, forward-phase, TRIAC, and 0-10V dimming. Note: A complete fixture requires a housing and trim, sold separately. Note: Warm Dim option is not available with 10 degree beam angle.

Specifications

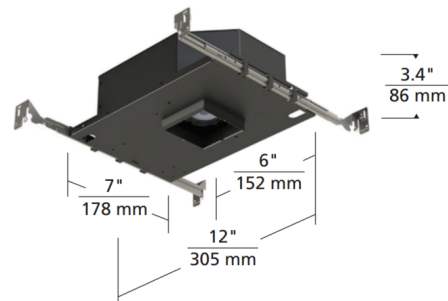
REFLECTOR/BAFFLE COLOR	N/A
BODY FINISH	Black Powder Coat
WATTAGE	12W
DIMMER	Low Voltage Electronic
DIMENSIONS	12"L x 7"W x 3.4"H
INTEGRATED LED MODULE	1 x LED/12W/120-277V LED

Technical Information

APERTURE SHAPE	Round
HOUSING HEIGHT	3.5"
HOUSING TYPE	New construction IC Airtight
CEILING TYPE	Drywall Trimless/Flush
FUNCTION	Downlight
LAMP LIFE	50000 hours
BEAM ANGLE	60°
COLOR RENDERING	90 CRI
LAMP COLOR	3000K Warm Dim
LUMENS/WATT	75.00
LUMINOUS FLUX	900 lumens



Shown in black powder coat



COLLAR HEIGHT 0.75" (19 MM)
(SEE INSTRUCTIONS FOR CEILING THICKNESS < 0.75")



CLICK TO VIEW PRODUCT

Notes: