



**BRAND** Visual Comfort Architectural

**DESCRIPTION**

The 3 Inch Square 90CRI Flanged Fixed Downlight Non-IC Airtight, IC Airtight, or Chicago Plenum New Construction Housing for use with square flanged trims. Features an integral 12 watt or 17 watt LED module in three color temperature options or Warm Dim (3000K-1800K) with 10, 18, 25, 40 or 60 degree beam angle options. 3 7/8 inch ceiling cutout. Suitable for damp locations. Suitable for wet locations with shower trim. Includes a 120-277V Universal driver dimmable with standard reverse-phase, forward-phase, TRIAC, and 0-10V dimming Note: A complete fixture requires a housing and trim, sold separately. Note: 10 degree beam angle not available for Warm Dim option.



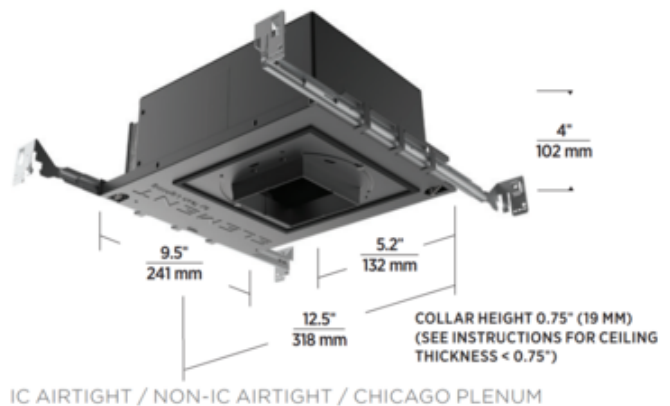
IC AIRT

Shown in: Matte Black

<b>TRIM COLOR</b>	N/A
<b>BODY FINISH</b>	Matte Black
<b>WATTAGE</b>	12W
<b>DIMMER</b>	Low Voltage Electronic
<b>DIMENSIONS</b>	12.5"W x 4"H x 9.5"D
<b>INTEGRATED LED MODULE</b>	
<b>LAMP</b>	1 x LED/12W/120-277V LED

*Technical Information*

<b>LUMINOUS FLUX</b>	1124 lumens
<b>LUMENS/WATT</b>	93.67
<b>LAMP COLOR</b>	2700K
<b>COLOR RENDERING</b>	90 CRI
<b>BEAM ANGLE</b>	10°
<b>LAMP LIFE</b>	50000 hours
<b>FUNCTION</b>	Downlight
<b>CEILING TYPE</b>	Drywall with Trim
<b>HOUSING TYPE</b>	Chicago plenum approved
<b>SPEC #</b>	ELE944638



IC AIRTIGHT / NON-IC AIRTIGHT / CHICAGO PLENUM

COMPANY	PROJECT	FIXTURE TYPE	APPROVED BY	DATE