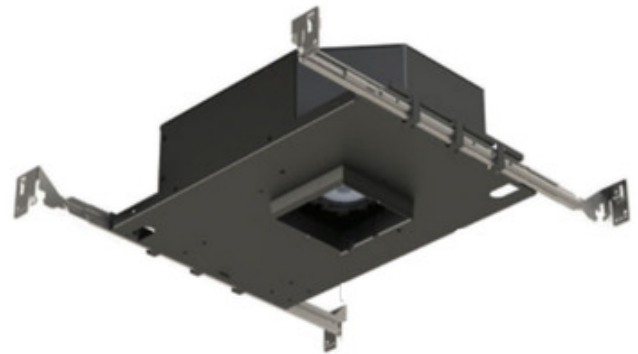




BRAND Visual Comfort Architectural

DESCRIPTION

The 3 Inch Square 90CRI Flanged Fixed Downlight IC Airtight or Chicago Plenum New Construction Housing for use with square flanged trims. Features an integral 12 watt or 17 watt LED module in three color temperature options or Warm Dim (3000K-1800K) with 10, 18, 25, 40 or 60 degree beam angle options. 3 7/8 inch ceiling cutout. Suitable for damp locations. Suitable for wet locations with shower trim. Includes a 120-277V Universal driver dimmable with standard reverse-phase, forward-phase, TRIAC, and 0-10V dimming
 Note: A complete fixture requires a housing and trim, sold separately. Note: 10 degree beam angle not available for Warm Dim option.

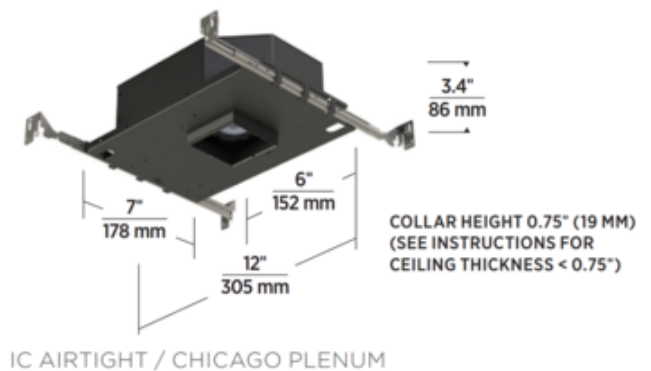


Shown in: Black

TRIM COLOR	N/A
BODY FINISH	Black
WATTAGE	12W
DIMMER	Low Voltage Electronic
DIMENSIONS	12"L x 7"W x 3.4"H
INTEGRATED LED MODULE	
LAMP	1 x LED/12W/120-277V LED

Technical Information

LUMINOUS FLUX	1124 lumens
LUMENS/WATT	93.67
LAMP COLOR	2700K
COLOR RENDERING	90 CRI
BEAM ANGLE	10°
LAMP LIFE	50000 hours
FUNCTION	Downlight
CEILING TYPE	Drywall with Trim
HOUSING TYPE	Chicago plenum approved
SPEC #	ELE944640



COMPANY	PROJECT	FIXTURE TYPE	APPROVED BY	DATE