



DESIGNER Michael Anastassiades
BRAND Flos Lighting

DESCRIPTION

The IC Outdoor Floor Lamp, designed by Michael Anastassiades for Flos, has been modified with an exterior rated epoxy-polyester powder coat finish for outdoor requirements and UV resistance. Features a blown glass Opal diffuser with a Black finish with Black Lava marble base, Red Burgundy with a Black Lava base, Deep Brown finish with a Travertino Imperiale base, Brushed Brass finish with a Grey Lava stone base, and Stainless Steel finish with an Occhio di Pernice stone base. Available in two sizes. Dimmer included (on/off, 30-100% dimmable) on power cord. Supplied with 16 foot black cord. UL listed. IP65 rated for outdoor locations.



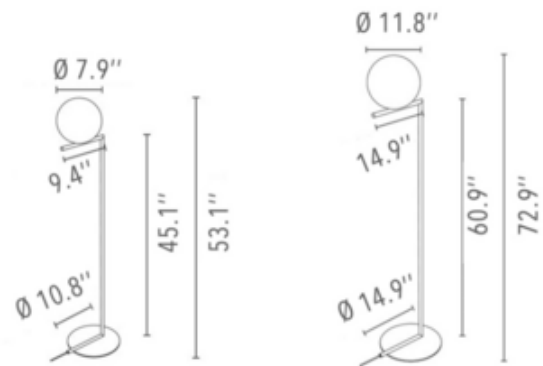
Shown in: Black / Opal

SHADE COLOR	Opal
BODY FINISH	Black
WATTAGE	5W
DIMMER	Included
DIMENSIONS	12.6"W x 53.2"H
LAMP	1 x JCD/G9/5W/120V LED

Technical Information

LUMINOUS FLUX	550 lumens
LUMENS/WATT	110.00
COLOR RENDERING	90 CRI
PRODUCT DIMENSIONS	Cord Length: 192"

ITEM NUMBER FLO948953



COMPANY	PROJECT	FIXTURE TYPE	APPROVED BY	DATE