

# Lightology

lightology.com  
866-954-4489  
07-06-26

Project: \_\_\_\_\_

Company: \_\_\_\_\_

Location: \_\_\_\_\_ Fixture Type: \_\_\_\_\_

SPEC #: **NIL952791**

Approved On: \_\_\_\_\_ Approved By: \_\_\_\_\_

## Ellisse Double Mega Pendant

By Nemo



### Description

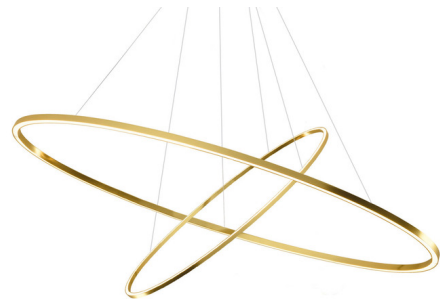
The Ellisse Double Mega Pendant brings an open airy feel to a variety of interior spaces. Two mega aluminum rings can be adjusted to your desired position, creating a one of a kind piece. Available with an Opal diffuser and Black, Gold, or White painted finishes. Note: The pendant must be installed so that the rings are at an angle. The pendant cannot be installed so that both rings are flat.

### Specifications

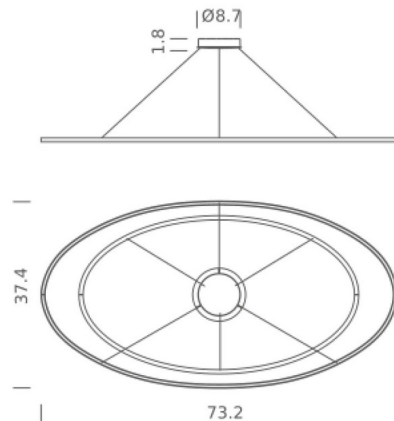
COLOR . . . . . Opal  
BODY FINISH . . . . . Gold Painted  
WATTAGE . . . . . 70W  
DIMMER . . . . . Low Voltage Electronic  
DIMENSIONS . . . . . 73.2"W x 37.4"D  
INTEGRATED LED MODULE . . . . . 1 x LED/70W/120V LED  
COUNTRY OF ORIGIN . . . . . Italy

### Technical Information

PRODUCT DIMENSIONS . . . . . Cable Length: 98"  
COLOR RENDERING . . . . . 85 CRI  
LAMP COLOR . . . . . 2700K  
LUMENS/WATT . . . . . 53.14  
LUMINOUS FLUX . . . . . 3720 lumens



Shown in gold painted / opal



CLICK TO VIEW PRODUCT

Notes: