



BRAND

Kalin Asenov

DESCRIPTION

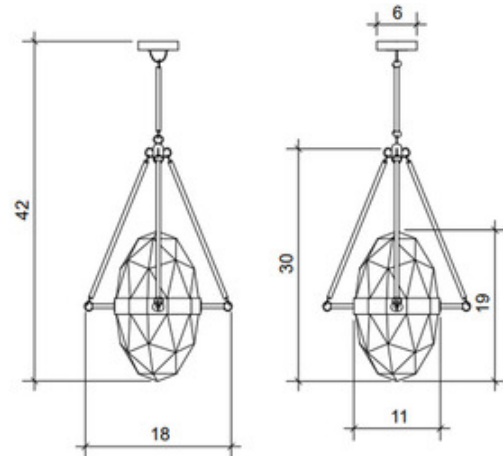
The Nucleus Chandelier takes inspiration from geodesic domes design by the futurist architect, Buckminster Fuller. Constructed of glass and marble/onyx, the Nucleus get's its unique look by juxtaposing the hardness of the stone with the fragility of the glass. Perfect as an entryway statement or place over the dining table, the Nucleus will elevate any interior it calls home.

Sapphire: blue glass / blue onyx / blackened brass finish
 Emerald: green glass / white onyx / aged brass finish
 Blush: pink glass / pink onyx / aged brass finish
 Ice: white glass / Carrara marble / blackened brass finish
 Slate: dark gray glass / Carrara marble / blackened brass finish



Shown in: Blackened Brass / Sapphire

SHADE COLOR	Sapphire
BODY FINISH	Blackened Brass
WATTAGE	32W
DIMMER	Standard 120V
DIMENSIONS	18"W x 30"H
BULB NOT INCLUDED	
LAMP	4 x A19/Medium (E26)/8W/120V LED



NUCLEUS

Dimensions: L: 30" | H: variable* | W: 18"

Materials: Glass | Carrara marble | Brass

Bulb: 4 x E26 LED bulb

Suspension: custom length

SPEC #

ASV953550

COMPANY

PROJECT

FIXTURE TYPE

APPROVED BY

DATE