

Lightology

lightology.com
866-954-4489
06-01-26

Project: _____

Company: _____

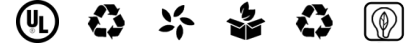
Location: _____ Fixture Type: _____

SPEC #: **BIS953992**

Approved On: _____ Approved By: _____

Mona Pendant

By Brokis



Description

The Mona Pendant is based on the concept of merging forms. The light source boldly traverses the volume of smooth glossy finished, hand-blown glass to reveal the thrilling tension inherent in the design. Note: Overall Height must be specified upon order. Please contact our sales team.

Specifications

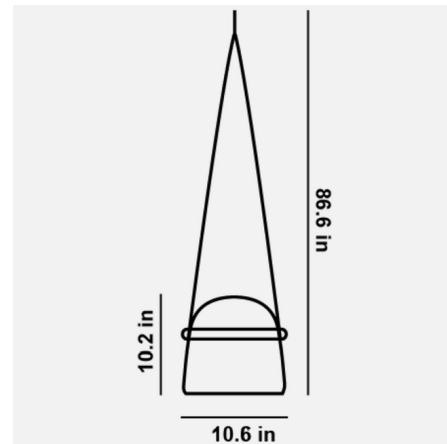
COLOR Transparent Black
BODY FINISH Matte Black
WATTAGE 7.7W
DIMMER Not Dimmable
DIMENSIONS 10.6"W x 10.2"H
INTEGRATED LED MODULE 1 x LED/7.7W/120V LED
COUNTRY OF ORIGIN Czech Republic

Technical Information

PRODUCT DIMENSIONS Strap Length: 78.74"
COLOR RENDERING 80 CRI
LAMP COLOR 2700K
LUMENS/WATT 34.55
LUMINOUS FLUX 266 lumens



Shown in matte black / transparent black



CLICK TO VIEW PRODUCT

Notes: