

**BRAND**

Buster + Punch

**DESCRIPTION**

The Machined Vase by Buster + Punch is constructed of solid metal and is complemented by a hand blown glass vase. To remove dust: Wipe with soft dry cloth in the same direction as the brush pattern to avoid scratching the metal.

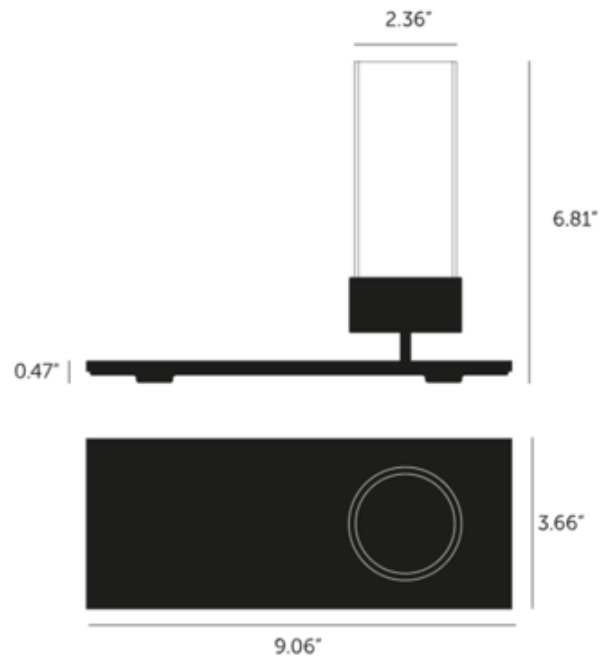


*Shown in: Brass / Clear*

<b>COLOR</b>	Clear
<b>BODY FINISH</b>	Brass
<b>WATTAGE</b>	N/A
<b>DIMMER</b>	N/A
<b>DIMENSIONS</b>	9.06"W x 6.81"H x 3.66"D
<b>LAMP</b>	N/A

**SPEC #**

BPU957277



COMPANY

PROJECT

FIXTURE TYPE

APPROVED BY

DATE