

Lightology

lightology.com
866-954-4489
06-04-26

Project: _____

Company: _____

Location: _____ Fixture Type: _____

SPEC #: **BPU957298**

Approved On: _____ Approved By: _____

Exhaust Track Light

By Buster + Punch

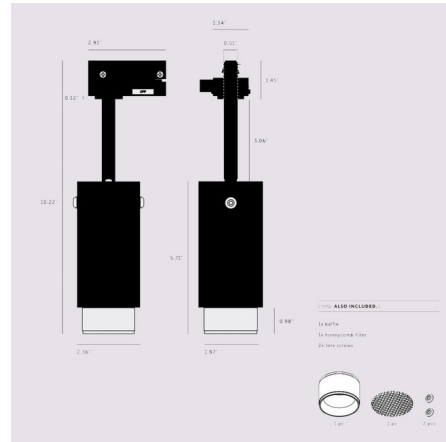


Description

The Exhaust Track Light features the Buster + Punch signature linear or cross pattern knurl baffle that captures light and creates a delicate metallic glow. An included honeycomb filter emits a precise, non-glare, directional spotlight. Available with a Graphite or Stone finish complemented by a variety of baffle finish options. The spotlight is fully adjustable and comes with a single circuit H-style track adapter in black, compatible with Halo 120V track. The spotlight fits a GU10 bulb. Bulb not included. Note: Not all finish combinations are available.



Shown in graphite / steel



Specifications

COLOR	N/A
BODY FINISH	Graphite / Steel
WATTAGE	9W
DIMMER	Standard 120V
DIMENSIONS	2.4"W x 10.2"H
BULB NOT INCLUDED	1 x MR16/GU10/9W/120V LED



CLICK TO VIEW PRODUCT

Notes: