

# Lightology

lightology.com  
866-954-4489  
05-23-26

Project: \_\_\_\_\_

Company: \_\_\_\_\_

Location: \_\_\_\_\_ Fixture Type: \_\_\_\_\_

SPEC #: **CPT958645**

Approved On: \_\_\_\_\_ Approved By: \_\_\_\_\_

## Clint Pendant By Capital Lighting



### Description

The Clint Pendant brings understated elegance with clean simple lines to a variety of interior spaces. The bare bulbs and Black Iron finish bring a bold light to your room. Canopy: 5 inch diameter. UL listed.

### Specifications

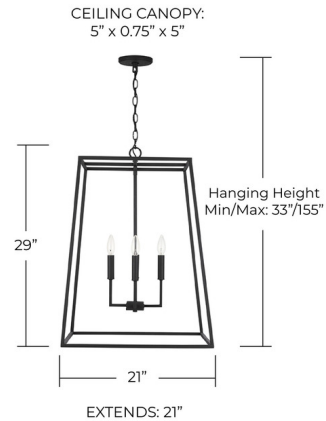
COLOR . . . . . N/A  
BODY FINISH . . . . . Black Iron  
WATTAGE . . . . . 20W  
DIMMER . . . . . Standard 120V  
DIMENSIONS . . . . . 21"W x 29"H  
BULB NOT INCLUDED . . . . . 4 x B11/Candelabra (E12)/5W/120V LED  
OTHER BULB OPTIONS . . . . . 4 x B10/Candelabra (E12)/120V LED  
4 x B10/Candelabra (E12)/60W/120V Incandescent  
COUNTRY OF ORIGIN . . . . . China

### Technical Information

PRODUCT DIMENSIONS . . . . . Chain Length: 120"



Shown in black iron



CLICK TO VIEW PRODUCT

Notes: