

# Lightology

lightology.com  
866-954-4489  
07-01-26

Project: \_\_\_\_\_  
 Company: \_\_\_\_\_  
 Location: \_\_\_\_\_ Fixture Type: \_\_\_\_\_  
 SPEC #: **CDI959473**  
 Approved On: \_\_\_\_\_ Approved By: \_\_\_\_\_

## Calypso Antigua Outdoor Pendant By Contardi

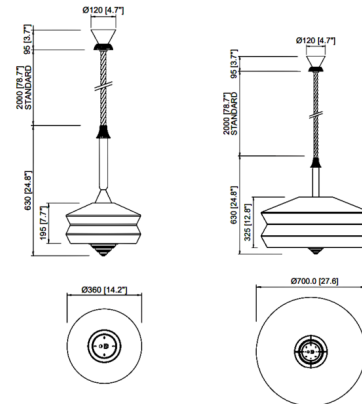


### Description

The Calypso Antigua Pendant is a collection of lamps inspired by the 1940s. They show a connection with the tropical and Southern American world, where the European deco style, characterized by geometric lines and black and whites, is twisted and revitalized thanks to bright colors, patterns, and twine. Includes a green waterproof braided suspension cord. Note: The fabrics used for the outdoor collection are waterproof and/or water repellent. The 27.6 inch size is only available in Mint Multi color.



Shown in matte gold / mint multi



### Specifications

COLOR . . . . . Mint Multi  
 BODY FINISH . . . . . Matte Gold  
 WATTAGE . . . . . 9W  
 DIMMER . . . . . Standard 120V  
 DIMENSIONS . . . . . 27.6"W x 24.8"H  
 BULB NOT INCLUDED . . . . . 1 x T8/Medium (E26)/9W/120V LED  
 COUNTRY OF ORIGIN . . . . . Italy

### Technical Information

PRODUCT DIMENSIONS . . . . . Cable Length: 78.7"  
 COLOR RENDERING . . . . . 90 CRI  
 LAMP COLOR . . . . . 2100K



CLICK TO VIEW PRODUCT

Notes: