

Lightology

lightology.com
866-954-4489
05-17-26

Project: _____

Company: _____

Location: _____ Fixture Type: _____

SPEC #: **EUF966490**

Approved On: _____ Approved By: _____

Mucci Cylinder Spot Light for Pendant By Eurofase



Description

The Mucci Cylinder Spot Light is for use with the Mucci Pendant to add an extra layer of directional light. Available in two size. The Mucci Pendant is required, and sold separately. Title 24 compliant. ETL listed.

Specifications

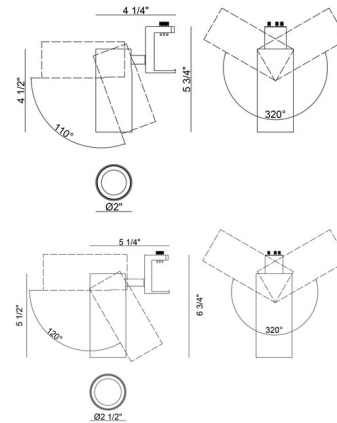
COLOR Clear
BODY FINISH Matte Black
WATTAGE 8W
DIMMER Low Voltage Electronic
DIMENSIONS 2"W x 4.5"H
INTEGRATED LED MODULE 1 x LED/8W/120V LED

Technical Information

LAMP LIFE 35000 hours
BEAM ANGLE 50°
COLOR RENDERING 90 CRI
LUMENS/WATT 81.25
LUMINOUS FLUX 650 lumens



Shown in matte black / clear



CLICK TO VIEW PRODUCT

Notes: