



DESIGNER Michael Anastassiades
BRAND Flos Lighting

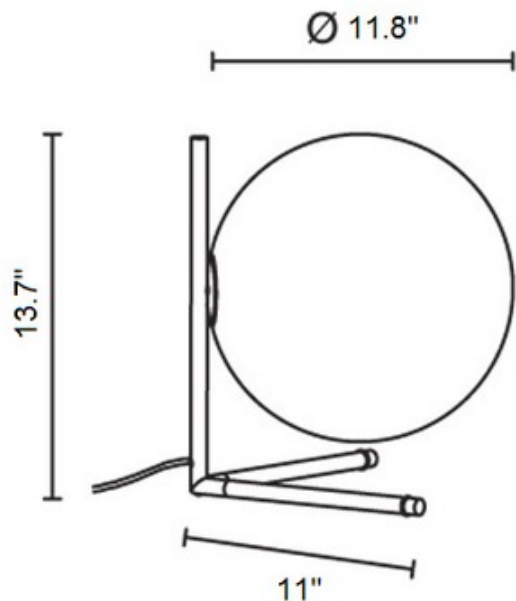
DESCRIPTION

With a passion for balance, the IC T2 Table Lamp, designed by Michael Anastassiades for Flos, demands attention. This table lamp is composed of a blown Opal glass diffuser with a Chrome, Black, Red Burgundy, or Brass finish. Includes dimmer on power cord. One 150 watt 120 volt T10 medium base halogen bulb is included. UL listed.



Shown in: Red Burgundy / Opal

SHADE COLOR	Opal
BODY FINISH	Red Burgundy
WATTAGE	150W
DIMMER	Included
DIMENSIONS	11.8"W x 13.7"H x 11"D
BULB NOT INCLUDED	
LAMP	1 x T10/Medium (E26)/150W/120V Halogen
ITEM NUMBER	FLO967654



COMPANY	PROJECT	FIXTURE TYPE	APPROVED BY	DATE