

Lightology

lightology.com
866-954-4489
04-26-26

Project: _____
 Company: _____
 Location: _____ Fixture Type: _____
 SPEC #: **HMR967889**
 Approved On: _____ Approved By: _____

Aster Gem Tempo Wall Sconce By Hammerton Studio



Description

The Aster Tempo Gem Wall Sconce is a clean simple piece, perfect in a variety of interior spaces. The artisan blown and cast glass, undulated gently in an organic form, has a inner floret, geo, or zircon shaped gem that lights up to create an interesting conversation piece. Each Piece is a unique work of art. Available in 2700K or 3000K color temperatures.

Specifications

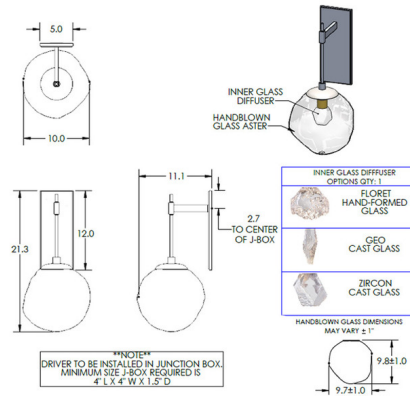
COLOR Clear Zircon
 BODY FINISH Beige Silver
 WATTAGE 5.2W
 DIMMER Low Voltage Electronic
 DIMENSIONS 10"W x 21.3"H x 11.1"D
 INTEGRATED LED MODULE 1 x LED/5.2W/120V LED
 COUNTRY OF ORIGIN United States

Technical Information

COLOR RENDERING 93 CRI
 LAMP COLOR 2700K
 LUMENS/WATT 65.38
 LUMINOUS FLUX 340 lumens



Shown in beige silver / clear zircon



CLICK TO VIEW PRODUCT

Notes: