

Lightology

lightology.com
866-954-4489
04-25-26

Project: _____

Company: _____

Location: _____ Fixture Type: _____

SPEC #: **HMR968164**

Approved On: _____ Approved By: _____

Axis Moda Double Linear Pendant By Hammerton Studio



Description

The Axis Moda Double Linear Pendant is an eye catching use of recycled glass to create functional art. Is it ice or diamonds, you decide. Pairing hand polished metalwork with thick artisan cast glass and excess materials from glassblowing creates the unique characteristics of this luxury light that will dramatically refract light in surprising ways.

Specifications

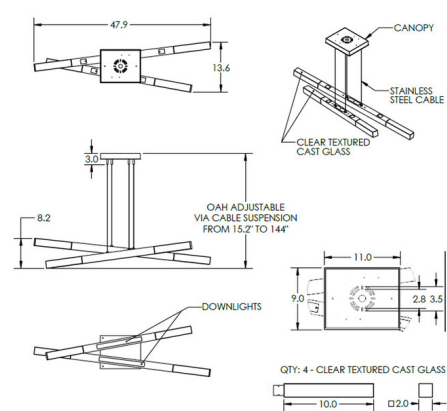
COLOR	Clear Cast Glass
BODY FINISH	Matte Black
WATTAGE	31.2W
DIMMER	Low Voltage Electronic
DIMENSIONS	47.9"L x 13.6"W x 8.2"H
INTEGRATED LED MODULE	12 x LED/2.6W/120V LED
COUNTRY OF ORIGIN	United States

Technical Information

PRODUCT DIMENSIONS	Min/Max Adjustable Length: 15.2" - 144"
COLOR RENDERING	93 CRI
LAMP COLOR	2700K
LUMENS/WATT	1,384.62
LUMINOUS FLUX	3600 lumens



Shown in matte black / clear cast glass



CLICK TO VIEW PRODUCT

Notes: